

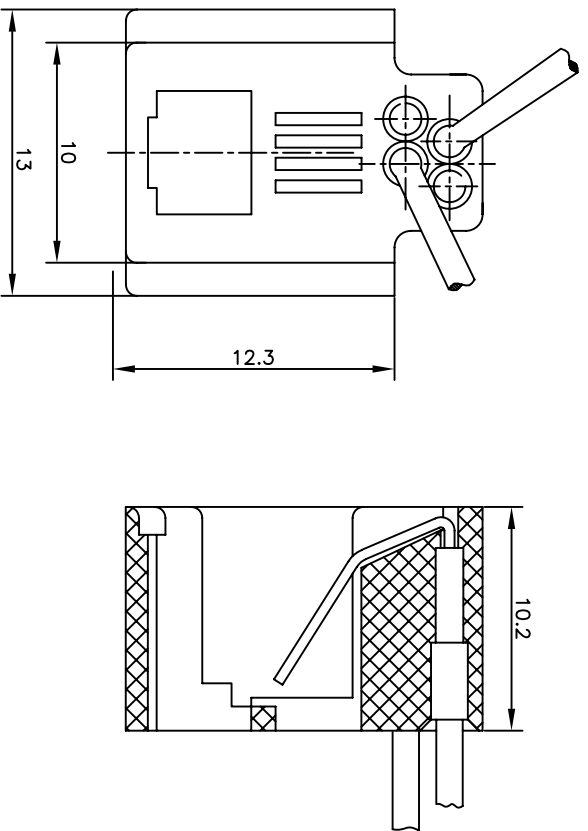
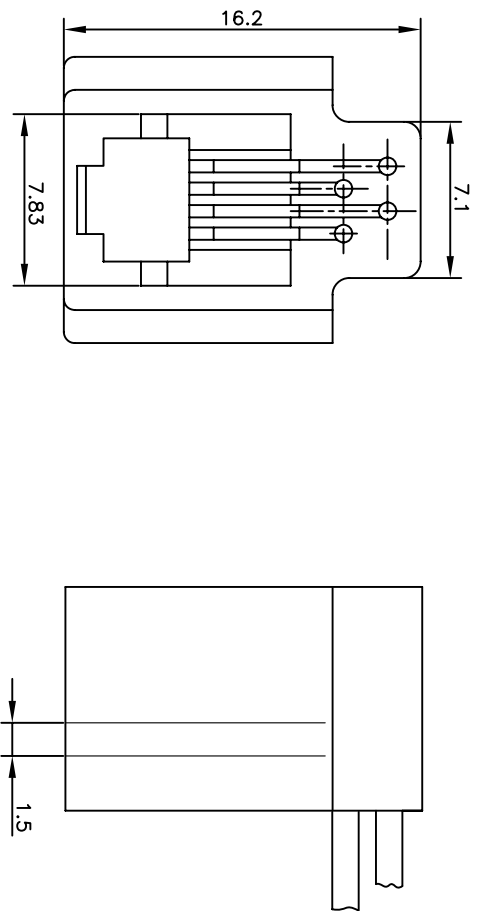
1

2

3

4

REV.	ECN NO.	DATE



SPECIFICATION NOTES:

ELECTRICAL:

1. VOLTAGE RATING: 125 VAC RMS
2. CURRENT RATING: 1.5 AMP
3. CONTACT RESISTANCE: 30mΩ MAX.
4. INSULATION RESISTANCE: 1000MΩ MIN. AT 500V DC.
5. DIELECTRIC STRENGTH: 1000 V AC OR 1500V DC RMS AT 0.5mA 50 Hz / 60 Hz FOR 1 MINUTE

MECHANICAL:

1. HOUSING&INSERT&MATERIAL: ABS
2. CONTACT MATERIAL: PHOSPHOR BRONZE $\phi=0.46\text{MM}$
3. PLATING: GOLD PLATING AT CONTACT AREA, NICKEL 30U MIN. OVER ALL.
4. OPERATING LIFE: 750 CYCLES MIN.
5. MATING/UNMATING FORCE: 30N/3.06KGf MAX.
6. RETENTION STRENGTH: 50N MIN. FOR 60S \pm 5S

ENVIRONMENTAL:

1. STORAGE: 0°C TO +70°C RELATIVE HUMIDITY < 80%
2. GUARANTEE PERIOD: 6 MONTHS
3. OPERATION: 0°C TO +70°C

C

B

A

C

B

A

ROHS Compliant



温州意华接插件股份有限公司
WENZHOU YIHUA CONNECTOR CO., LTD

TOLERANCES
0~15 ±0.15
15~30 ±0.20
30~50 ±0.25
50~ ±0.30
ANGLES: ±1°

THIRD ANGLE PROJECTION	A4	SCALE	UNIT	CUSTOMER:
	1:1	mm	MODEL NO:	

MATERIAL:	FINISH:
SHEET 1 OF 1	Approved:

NAME:	616MS
DWG NO:	
PART NO:	

DESIGNED:	CHECKED:
APPROVED:	

REV.	
------	--

QRK-02

1

2

3

4