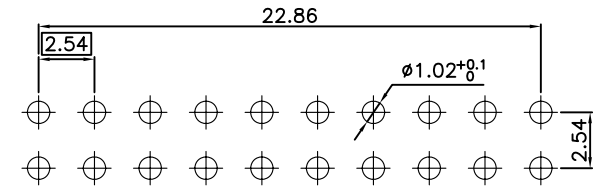
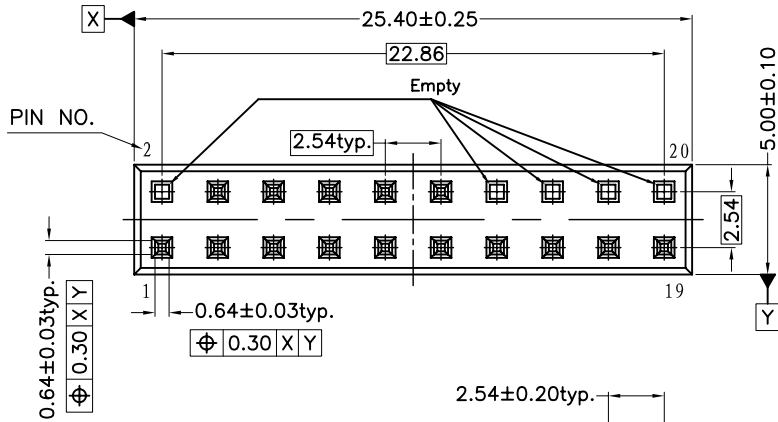
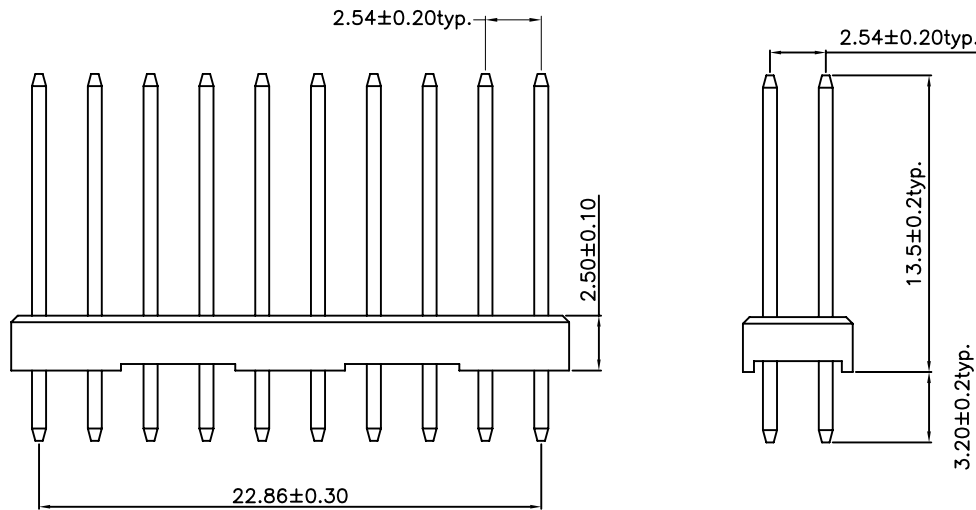


RoHS2.0&REACH Compliant

THE PART MEETS TECONN "GP001" COMPLIANCE NEW REV.



Recommended PCB Layout(Top View)
TOLERANCES: ±0.05



Note:

- Material:
 - Housing: LCP+40%GF, UL94 V-0,Black
 - Contact: Brass(C2600), 40u"~200u" Matt Tin plating all over, 30u"~150u"Nickel underplating;
- Ratings
 - Current Rating(额定电流): 5.0 A (Per Pin);
 - Operating Temperature (工作温度): -40°C ~ +125°C;
- Electrical Requirement:
 - LLCR (接触阻抗): 20mΩ Max. (Initial),30mΩ Max. (Final);
 - Dielectric Withstanding Voltage(耐电压): 500V AC (RMS) for 1minuter;
 - Insulation Resistance(绝缘阻抗): 1000MΩ Min. @ 500V DC;
- Single pin push out force 3N Min.after solder to PCB
- The part is recommended for ir reflow solodering process peak soldering temperature is 260°C Max 10 Secs Max.
- The total mass is 1.25g per unit.

Part No:
A99 15 09-A-0S-X

Pin No: _____
Flow No: _____

Packing:
T: Tray

Plating:
0S: Matt Tin

REV	ECN NO	DESCRIPTION	DESIGN	DATE
B	TE2019-0073	Change Bright Tin to Matt Tin	Mike Xu	2019/05/22
A	TE2019-0066	New Drawing	Mike Xu	2019/05/20

X. ± 0.35	APPD: Lebon Lee	TITLE: 2.54 Pin Header 2x10P Dual Row(15PIN)	
.X ± 0.25	CHKD: _____	PART NO: A991509-A-0S-T	
.XX ± 0.15	DR: Mike Xu	DWG NO: C-A991509-A-0S-T	
.XXX ±		CUSTOMER DRAWING	
X* ± 2*	UNITS: mm	SCALE: 3:1	SHEET: 1 OF 1
.X* ± 1.5*			REV: B