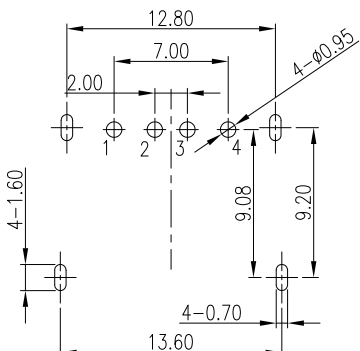
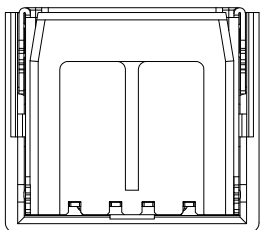
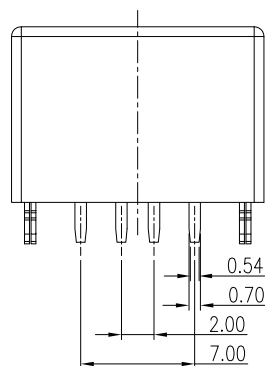
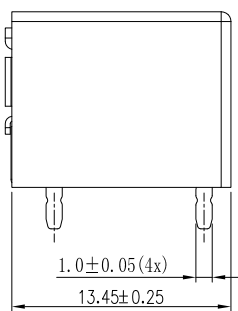
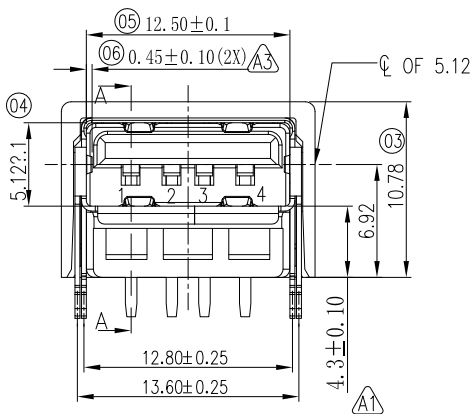
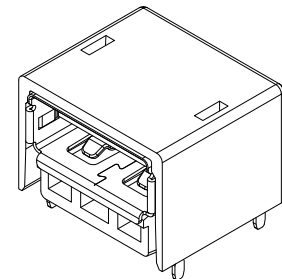
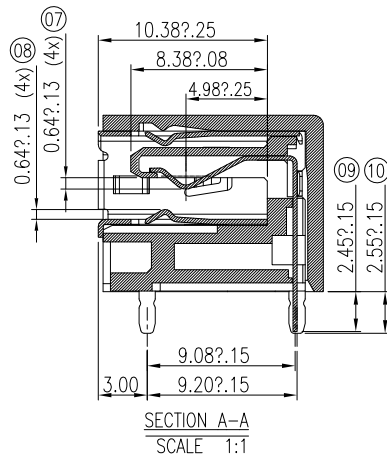
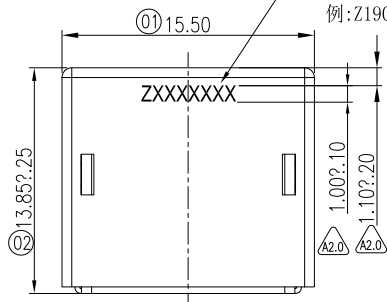


REV	DESCRIPTION	DATE	ECN NO.	CHANGER
A-0	NEW DRAWING	2019.12.20		GPFANG
A-1	降低胶芯高度	2020.02.24		GPFANG
A-2	ADD P/N.	2020.06.06		GPFANG
A-3	Add Dimension	2020.07.15	2020071402	GPFANG

DATECODE 镭雕说明:

Z XX XX XX X

公司 年 月 日 A, B, C --
例: Z190403A... (代表自动机台号)



RECOMMENDED PCB LAYOUT (COMPONENT TOP VIEW)
P.C.B THICKNESS=1.60mm (TOLERANCE=±0.05)

Notes:

- MATERIAL SPECIFICATION
 - Housing: PBT HF, UL94V-0, Color: SEE TABLE
 - Terminal: C5210-H, T=0.25mm
 - Shell: SUS304-1/2H, T=0.30±0.01mm
 - Protection: PBT, UL94V-0, Color: WHITE HF.
- Plating:
 - Contact plating:
 - Gold 3u" Min, Plated on Contact Area.
 - 150u" Min Tin Plated on Solder Tail,
 - 60u" Min Nickel Underplated overall
 - Shell Plating:
 - 40u" Min Nickel Plated overall
- ELECTRICAL CHARACTERISTIC
 - Current Rating: 1,4P 2AMP at 9V
 - Dielectric Withstanding Voltage: 500V AC
 - Insulation Resistance: 1000MΩ Min.
 - Contact Resistance: 30mΩ Max.
 - Operation temperature: -40° C ~ +85° C.
- MECHANICAL CHARACTERISTIC:
 - INSERTION FORCE: 35N MAX.
 - EXTRACTION FORCE: 10N MIN.
 - DURABILITY: 5000 CYCLES
 - THE PEAK OF TEMPERATURE ON SOLDERING:
 - THT: 245±5° C 5~10S

TABLE:

P/N	SPEC
10302204B157	PBT HF WHITE 3u"
10302204B158	PBT HF YELLOW (7548U) 3u"
10302204B167	PBT HF GrayishWhite (649C) 3u" 内外销18W

CONNECTOR PIN SIGNAL NAME

1	VBUS
2	D-
3	D+
4	GND
SHELL	SHIELD

CZT[®] DONGGUAN ZHENGDE (YIHUA) CONNECTOR CO., LTD

X. ±0.38	X.* ±4*	UNIT:	mm	DR:		TITLE: USB 2.0 A/F DIP 90° 9V2A 加高型 四支直脚 成品 带护套 (CH=6.92)	
.X ±0.25	.X* ±2*	3RD:		DE:			
.XX ±0.20	.XX*	SCALE:	1:1	CHKD:		SHEET: 1/1	
.XXX ±0.10	.XXX*	CUSTOMER DRAWING		REV:	A-3	P/N:	SEE TABLE
		APPD:		D/N:	1114-0622	M/N:	